

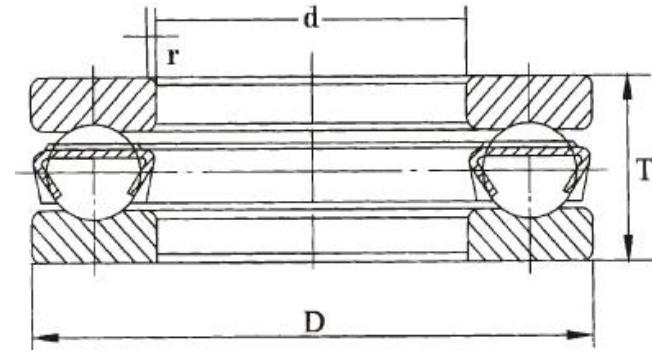


THRUST BALL BEARING



THRUST BALL BEARING

THRUST BALL BEARING



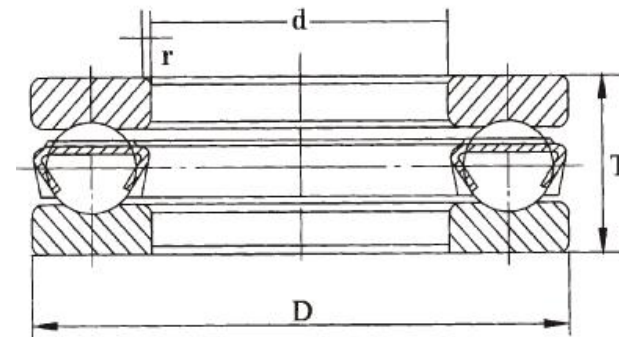
Bearing No.	Boundary dimensions			Basic load ratings(kN)		Limiting speed		Mass
	mm			Dynamic	Static	rpm		
	d	D	T	Cr	Cor	Grease	Oil	
51103	17	30	9	10.8	18.2	5,300	7,500	0.024
51104	20	35	10	14.2	24.5	4,800	6,700	0.036
51105	25	42	11	15.2	30.2	4,300	6,000	0.055
51106	30	47	11	16	34.2	4,000	5,600	0.062
51107	35	52	12	18.2	41.5	3,800	5,300	0.077
51108	40	60	13	26.8	62.8	3,400	4,800	0.11
51109	45	65	14	27	66	3,200	4,500	0.14
51110	50	70	14	27.2	69.2	3,000	4,300	0.15
51111	55	78	16	33.8	89.2	2,800	4,000	0.22
51112	60	85	17	40.2	108	2,600	3,800	0.27
51113	65	90	18	40.5	112	2,400	3,600	0.31
51114	70	95	18	40.8	115	2,200	3,400	0.33
51115	75	100	19	48.2	140	2,000	3,200	0.38

THRUST BALL BEARING

51116	80	105	19	48.5	145	1,900	3,000	0.4
-------	----	-----	----	------	-----	-------	-------	-----



THRUST BALL BEARING



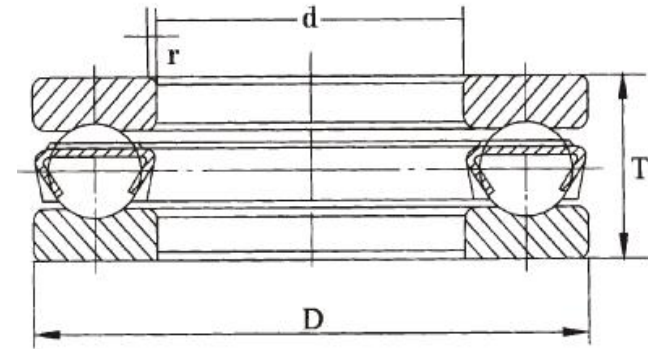
Bearing No.	Boundary dimensions			Basic load ratings(kN)		Limiting speed		Mass Kg
	mm			Dynamic	Static	rpm		
	d	D	T	Cr	Cor	Grease	Oil	
51203	17	35	12	17	27.2	4,500	6,300	0.048
51204	20	40	14	22.2	37.5	3,800	5,300	0.075
51205	25	47	15	27.8	50.5	3,400	4,800	0.11
51206	30	52	16	28	54.2	3,200	4,500	0.13
51207	35	62	18	39.2	78.2	2,800	4,000	0.21
51208	40	68	19	47	98.2	2,400	3,600	0.26
51209	45	73	20	47.8	105	2,200	3,400	0.3
51210	50	78	22	48.5	112	2,000	3,200	0.37
51211	55	90	25	67.5	158	1,900	3,000	0.58
51212	60	95	26	73.5	178	1,800	2,800	0.66
51213	65	100	27	74.8	188	1,700	2,600	0.72
51214	70	105	27	73.5	188	1,600	2,400	0.75

THRUST BALL BEARING

51215	75	110	27	74.8	198	1,500	2,200	0.82
51216	80	115	28	83.8	222	1,400	2,000	0.9
51217	85	125	31	102	280	1,300	1,900	1.21
51218	90	135	35	115	315	1,200	1,800	1.65
51220	100	150	38	132	375	1,100	1,700	2.21
51222	110	160	38	138	412	1,000	1,600	2.39



THRUST BALL BEARING



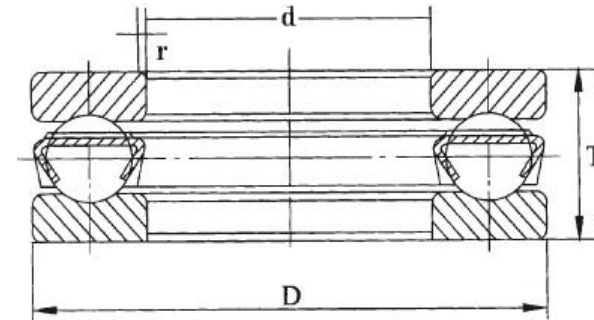
Bearing No.	Boundary dimensions			Basic load ratings(kN)		Limiting speed		Mass Kg
	mm			Dynamic	Static	rpm		
	d	D	T	Cr	Cor	Grease	Oil	
51305	25	52	18	35.5	61.5	3,000	4,300	0.17
51306	30	60	21	42.8	78.5	2,400	3,600	0.26
51307	35	68	24	55.2	105	2,000	3,200	0.37
51308	40	78	26	69.2	135	1,900	3,000	0.53
51309	45	85	28	75.8	150	1,700	2,600	0.66
51310	50	95	31	96.5	202	1,600	2,400	0.92
51311	55	105	35	115	242	1,500	2,200	1.28
51312	60	110	35	118	262	1,400	2,000	1.37
51313	65	115	36	115	262	1,300	1,900	1.48
51314	70	125	40	148	340	1,200	1,800	1.98
51315	75	135	44	162	380	1,100	1,700	2.58

THRUST BALL BEARING

51316	80	140	44	160	380	1,000	1,600	2.69
51317	85	150	49	208	495	950	1,500	3.47
51318	90	155	50	205	495	900	1,400	3.69
51320	100	170	55	235	595	800	1,200	4.86



THRUST BALL BEARING



Bearing No.	Boundary dimensions			Basic load ratings(kN)		Limiting speed		Mass Kg
	mm			Dynamic	Static	rpm		
	d	D	T	Cr	Cor	Grease	Oil	
51405	25	60	24	55.5	89.2	2,200	3,400	0.31
51406	30	70	28	72.5	125	1,900	3,000	0.51
51407	35	80	32	86.8	155	1,700	2,600	0.76
51408	40	90	36	112	205	1,500	2,200	1.06
51409	45	100	39	140	262	1,400	2,000	1.41
51410	50	110	43	160	302	1,300	1,900	1.86
51411	55	120	48	182	355	1,100	1,700	2.51
51412	60	130	51	200	395	1,000	1,600	3.08
51413	65	140	56	215	448	900	1,400	3.91
51414	70	150	60	255	560	850	1,300	4.85
51415	75	160	65	268	615	800	1,200	6.08
51416	80	170	68	292	692	750	1,100	7.12
51417	85	180	72	318	782	700	1,000	8.28